

WALL/DUCT



Dynamic wall mount extractor fans fitted with motorised hatch

Dynamic wall mount extractor fans with motorised opening system for connection to extract duct. Suitable for installation in industrial buildings, stores or in any other type of building.

Fan:

- Helicoidal casing support and fixing flange to allow easy wall anchorage and installation.
- Tubular casing in sheet steel with external terminal box.
- PL impellers manufactured in polyamide 6 re-inforced with fibreglass. AL impellers manufactured in cast aluminum. Models 40-2T, 45-2T, 100-4T-15, 100-4T-20 and 125 are only supplied in AL version.
- Airflow direction from motor to impeller.

Extruded aluminum hatch:

- An extremely robust structure that is able to withstand severe weather changes.
- Designed to ensure watertightness.
- Aluminum profile with thermal bridge break.
- Central ceiling and structure equipped with high performance thermal insulation.
- Thermal resistance of the assembly less than 0.89 W/m²·K.

- Limit switches in both positions (open and closed).
- Possibility of mounting in upper and lower opening. Size 125 only top opening.
- Manual opening system.

Motor:

- IE3 efficiency motors.
- Class F motors with ball bearings, IP55 protection.
- Three-phase 230/400 V 50 Hz (up to 4 kW) and 400/690 V 50 Hz (powers greater than 4 kW).
- Working temperature: -25 °C +60 °C.

Actuator:

- Reliability greater than 11,000 dual cycles.
- Supply voltage at 230 V AC 50/60 Hz.
- Working temperature: -25 °C +60 °C.

Flap finish:

- Anti-corrosive in extruded aluminum.
- RAL 7016 supplied as standard. Any other RAL can be supplied on demand.

On request:

- AA: impeller-motor air direction for air entry to premises.

Model	Speed (r/min)	Maximum admissible current (A)			Installed power (kW)	Maximum flow rate (m ³ /h)	Sound pressure level ¹ dB (A)		Approx. weight (Kg)
		230V	400V	690V			Inlet	Exhaust	
WALL/DUCT-40-2T-1.5 IE3	2830	4.03	2.34		1.10	8800	64	65	55
WALL/DUCT-45-2T-2 IE3	2875	5.34	3.07		1.50	10630	67	68	64
WALL/DUCT-45-2T-3 IE3	2910	7.32	4.21		2.20	12740	69	70	68
WALL/DUCT-45-4T-0.5	1370	2.02	1.17		0.37	7100	49	50	53
WALL/DUCT-50-4T-0.75	1420	2.17	1.25		0.55	10380	53	54	63
WALL/DUCT-56-4T-1 IE3	1420	2.82	1.62		0.75	12940	56	57	71
WALL/DUCT-56-4T-1.5 IE3	1455	4.07	2.34		1.10	14000	57	58	77
WALL/DUCT-56-4T-2 IE3	1440	5.41	3.11		1.50	15290	58	59	83
WALL/DUCT-56-6T-0.75	900	2.99	1.73		0.55	10000	45	46	70
WALL/DUCT-63-4T-1 IE3	1420	2.82	1.62		0.75	14140	58	59	98
WALL/DUCT-63-4T-1.5 IE3	1455	4.07	2.34		1.10	17000	59	60	104
WALL/DUCT-63-4T-2 IE3	1440	5.41	3.11		1.50	18900	60	61	111
WALL/DUCT-63-4T-3 IE3	1435	7.93	4.56		2.20	22090	61	62	113
WALL/DUCT-63-4T-4 IE3	1440	10.70	6.15		3.00	25390	62	63	119
WALL/DUCT-63-6T-0.75	900	2.99	1.73		0.55	12750	50	51	97
WALL/DUCT-71-4T-2 IE3	1440	5.41	3.11		1.50	21090	64	65	117
WALL/DUCT-71-4T-3 IE3	1435	7.93	4.56		2.20	23950	66	67	119
WALL/DUCT-71-4T-4 IE3	1440	10.70	6.15		3.00	29400	67	68	125
WALL/DUCT-71-6T-1 IE3	940	3.36	1.93		0.75	17250	53	54	112
WALL/DUCT-71-6T-1.5 IE3	945	4.68	2.69		1.10	20950	54	55	117
WALL/DUCT-80-4T-3 IE3	1435	7.93	4.56		2.20	27940	67	68	132
WALL/DUCT-80-4T-4 IE3	1440	10.70	6.15		3.00	32700	68	69	138

Model	Speed (r/min)	Maximum admissible current (A)			Installed power (kW)	Maximum flow rate (m³/h)	Sound pressure level ¹ dB (A)		Approx. weight (Kg)
		230V	400V	690V			Inlet	Exhaust	
WALL/DUCT-80-4T-5.5 IE3	1450	13.90	8.00		4.00	37200	69	70	140
WALL/DUCT-80-6T-1.5 IE3	945	4.68	2.69		1.10	24250	57	58	131
WALL/DUCT-80-6T-2 IE3	950	6.43	3.70		1.50	27960	58	59	134
WALL/DUCT-90-4T-5.5 IE3	1450	13.90	8.00		4.00	41810	75	76	176
WALL/DUCT-90-4T-7.5 IE3	1465		10.30	5.97	5.50	47000	77	78	211
WALL/DUCT-90-4T-10 IE3	1465		13.90	8.06	7.50	53000	78	79	215
WALL/DUCT-90-6T-2 IE3	950	6.43	3.70		1.50	30000	63	64	167
WALL/DUCT-90-6T-3 IE3	950	9.08	5.22		2.20	35000	64	65	175
WALL/DUCT-90-6T-4 IE3	970	12.00	6.91		3.00	40000	65	66	193
WALL/DUCT-100-4T-7.5 IE3	1465		10.30	5.97	5.50	52470	80	81	221
WALL/DUCT-100-4T-10 IE3	1465		13.90	8.06	7.50	58500	81	82	224
WALL/DUCT-100-4T-15 IE3	1470		20.90	12.10	11.00	68000	82	83	262
WALL/DUCT-100-4T-20 IE3	1465		27.90	16.20	15.00	71850	83	84	273
WALL/DUCT-100-6T-3 IE3	950	9.08	5.22		2.20	40390	70	71	184
WALL/DUCT-100-6T-4 IE3	970	12.00	6.91		3.00	46950	71	72	202
WALL/DUCT-100-6T-5.5 IE3	960	15.60	8.99		4.00	52000	72	73	208
WALL/DUCT-125-4T/6-20 IE3	1470		27.90	16.20	15.00	78610	77	77	462
WALL/DUCT-125-4T/6-25 IE3	1470		35.10	20.30	18.50	92550	76	76	530
WALL/DUCT-125-4T/6-30 IE3	1470		41.00	23.80	22.00	98830	75	75	544
WALL/DUCT-125-4T/6-40 IE3	1475		57.10	33.10	30.00	117460	75	75	625
WALL/DUCT-125-4T/6-50 IE3	1480		66.80	38.70	37.00	131065	75	75	673
WALL/DUCT-125-4T/9-25 IE3	1470		35.10	20.30	18.50	79670	77	77	539

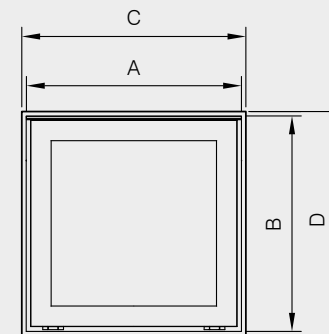
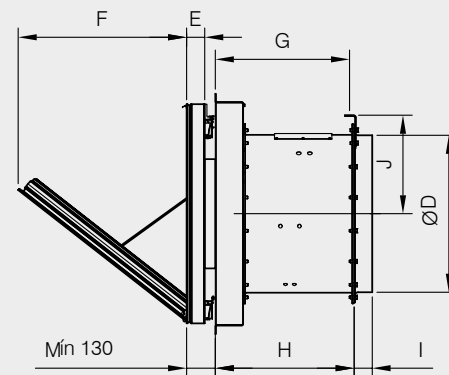
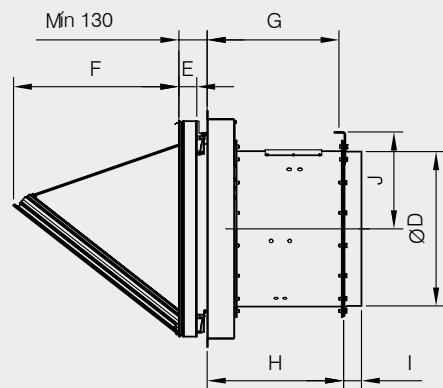
Model	Speed (r/min)	Maximum admissible current (A)			Installed power (kW)	Maximum flow rate (m³/h)	Sound pressure level ¹ dB (A)		Approx. weight (Kg)
		230V	400V	690V			Inlet	Exhaust	
WALL/DUCT-125-4T/9-30 IE3	1470		41.00	23.80	22.00	88280	76	76	553
WALL/DUCT-125-4T/9-40 IE3	1475		57.10	33.10	30.00	104040	75	75	634
WALL/DUCT-125-4T/9-50 IE3	1480		66.80	38.70	37.00	118400	75	75	682
WALL/DUCT-125-4T/12-30 IE3	1475		41.00	23.80	22.00	62895	78	78	569
WALL/DUCT-125-4T/12-40 IE3	1470		57.10	33.10	30.00	79180	77	77	650
WALL/DUCT-125-4T/12-50 IE3	1480		66.80	38.70	37.00	95715	76	76	693
WALL/DUCT-125-6T/6-5.5 IE3	960	15.60	8.99		4.00	51500	67	67	395
WALL/DUCT-125-6T/6-7.5 IE3	960		11.20	6.49	5.50	60635	65	65	402
WALL/DUCT-125-6T/6-10 IE3	960		14.80	8.58	7.50	72650	64	64	427
WALL/DUCT-125-6T/6-15 IE3	955		21.90	12.70	11.00	85870	64	64	457
WALL/DUCT-125-6T/6-20 IE3	970		28.20	16.30	15.00	92855	66	66	530
WALL/DUCT-125-6T/9-10 IE3	960		14.80	8.58	7.50	63490	67	67	436
WALL/DUCT-125-6T/9-15 IE3	955		21.90	12.70	11.00	77570	65	65	466
WALL/DUCT-125-6T/9-20 IE3	970		28.20	16.30	15.00	92970	65	65	539
WALL/DUCT-125-6T/9-25 IE3	975		35.90	20.80	18.50	96500	67	67	569
WALL/DUCT-125-6T/12-25 IE3	975		35.90	20.80	18.50	91680	67	67	579
WALL/DUCT-125-6T/12-30 IE3	975		42.40	24.60	22.00	102040	68	68	621
WALL/DUCT-125-6T/12-40 IE3	980		55.40	32.10	30.00	115940	72	72	739

¹ The noise level values are pressures in dB(A) measured at a distance of 10 metres in a free field.

WALL/DUCT

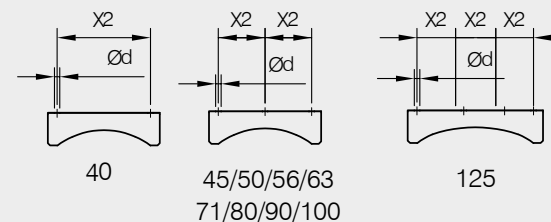
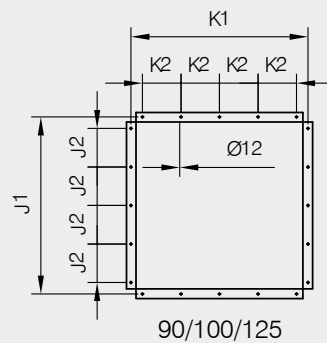
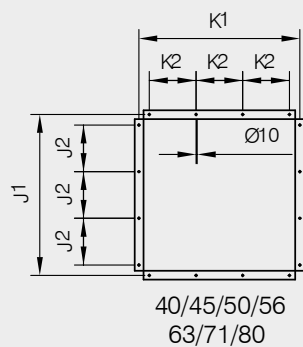
WALL/DUCT-40...100

WALL/DUCT-125



Wall-mounting flange

Helical ring support stand



Model	A	B	C	ød	D	ØD*	E	F	G	H	I	J	J1	J2	K1	K2	X2
WALL/DUCT-40	640	590	650	10	600	400	82	430	430	450	80	255	700	200	700	200	200
WALL/DUCT-45	640	590	650	12	600	450	82	430	470	490	80	280	700	200	700	200	200
WALL/DUCT-50	690	690	700	12	700	500	82	560	470	490	80	305	790	220	790	220	200
WALL/DUCT-56	690	690	700	13	700	560	82	560	510	530	80	340	790	220	790	220	215
WALL/DUCT-63	990	990	1000	13	1000	630	82	760	540	560	80	385	1050	300	1050	300	215
WALL/DUCT-71	990	990	1000	13	1000	710	82	760	605	630	80	445	1050	300	1050	300	225
WALL/DUCT-80	990	990	1000	13	1000	800	82	760	605	630	100	490	1050	300	1050	300	280
WALL/DUCT-90	1190	1190	1200	18	1200	900	82	790	605	630	100	550	1250	250	1250	250	280
WALL/DUCT-100	1190	1190	1200	18	1200	1000	82	790	705	730	100	600	1250	250	1250	250	280
WALL/DUCT-100-4T-15	1190	1190	1200	18	1200	1000	82	790	805	830	100	600	1250	250	1250	250	280
WALL/DUCT-100-4T-20	1190	1190	1200	18	1200	1000	82	790	805	830	100	600	1250	250	1250	250	280
WALL/DUCT-125	1490	1490	1500	18	1500	1250	82	1240	1025	1045	100	725	1600	300	1600	300	300
WALL/DUCT-125-4T/6-20	1490	1490	1500	18	1500	1250	82	1240	825	845	100	725	1600	300	1600	300	300
WALL/DUCT-125-4T/6-50	1490	1490	1500	18	1500	1250	82	1240	1125	1145	100	725	1600	300	1600	300	300
WALL/DUCT-125-4T/9-50	1490	1490	1500	18	1500	1250	82	1240	1125	1145	100	725	1600	300	1600	300	300
WALL/DUCT-125-4T/12-50	1490	1490	1500	18	1500	1250	82	1240	1125	1145	100	725	1600	300	1600	300	300
WALL/DUCT-125-6T/6-5.5	1490	1490	1500	18	1500	1250	82	1240	825	845	100	725	1600	300	1600	300	300
WALL/DUCT-125-6T/6-10	1490	1490	1500	18	1500	1250	82	1240	825	845	100	725	1600	300	1600	300	300
WALL/DUCT-125-6T/6-15	1490	1490	1500	18	1500	1250	82	1240	825	845	100	725	1600	300	1600	300	300
WALL/DUCT-125-6T/6-20	1490	1490	1500	18	1500	1250	82	1240	825	845	100	725	1600	300	1600	300	300
WALL/DUCT-125-6T/9-10	1490	1490	1500	18	1500	1250	82	1240	825	845	100	725	1600	300	1600	300	300
WALL/DUCT-125-6T/9-15	1490	1490	1500	18	1500	1250	82	1240	825	845	100	725	1600	300	1600	300	300

* Recommended nominal tube diameter
(C x D) Nominal size of the wall opening.