

CMPI

Centrifugal medium-pressure fans fitted with multi-blade impeller made from stainless steel AISI-304



Centrifugal single-inlet, medium-pressure fans with casing and impeller in stainless steel sheeting for operating in chemical, aggressive or marine environments

Fan:

- Casing and impeller with forward-facing blades made from stainless steel AISI-304

Motor:

- Class F insulation, IP55, except single-phase models which have IP-54 protection.
- IE3 efficiency for 7.5kW and larger motors. Except single-phase, 2 speed and 8 pole motors
- Single-phase 230V-50Hz and three-phase 230/400V-50Hz (up to 4 kW) and 400/690V-50Hz (power over 4 kW)
- Max. air temperature to transport: -20°C.+ 120°C.

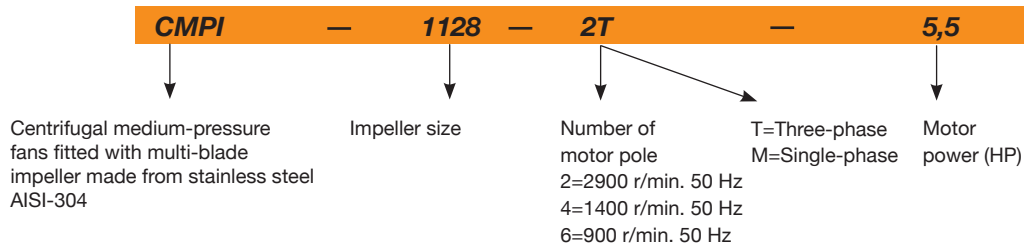
On request:

- Special windings for different electrical supplies and frequencies
- ATEX construction for different categories
- Manufactured with motor suitable for marine service
- Marine motors for naval applications with certification for essential service by various classifying societies (BV, DNV, LR)
- CE, NEMA, UL, CSA motors
- IE2 and IE3 efficiency motors assembled on any unit
- Made from stainless steel sheet casing AISI-316

Finish:

- Anticorrosive stainless steel.

Order code



Technical characteristics

Model	Speed (r/min)	Maximum admissible current (A)			Installed power (kW)	Maximum airflow (m³/h)	Sound pressure level dB(A)	Approx. weight (Kg)
		230V	400V	690V				
CMPI-512-2T	2670	0.64	0.37		0.09	380	62	4.0
CMPI-512-2M	2760	0.79			0.09	380	62	4.0
CMPI-512-4T	1320	0.55	0.32		0.06	255	55	3.5
CMPI-512-4M	1360	0.59			0.06	255	55	3.5
CMPI-514-2T	2750	1.21	0.70		0.18	700	65	5.0
CMPI-514-2M	2780	1.42			0.18	700	65	5.0
CMPI-514-4T	1320	0.65	0.38		0.09	565	58	4.5
CMPI-514-4M	1370	0.83			0.09	565	58	4.5
CMPI-616-2T	2760	2.57	1.49		0.55	1380	69	8.0
CMPI-616-2M	2810	3.49			0.55	1380	69	9.5
CMPI-616-4T	1320	0.96	0.56		0.12	850	61	7.5
CMPI-616-4M	1380	1.03			0.12	850	61	7.5
CMPI-620-2T	2710	1.92	1.11		0.37	765	68	9.5
CMPI-620-2M	2780	2.53			0.37	765	68	10.0
CMPI-620-4T	1320	0.96	0.56		0.12	810	61	7.5
CMPI-620-4M	1380	1.03			0.12	810	61	7.5
CMPI-718-2T	2770	2.78	1.60		0.75	1485	70	12.5
CMPI-718-2M	2810	4.50			0.75	1485	70	12.8
CMPI-718-4T	1350	1.66	0.96		0.25	1280	63	9.5
CMPI-718-4M	1370	2.00			0.25	1280	63	9.5
CMPI-820-2T	2860	4.20	2.40		1.10	1950	73	15.0
CMPI-820-2M	2820	6.51			1.10	1950	73	16.0
CMPI-820-4T	1350	1.66	0.96		0.25	1670	66	10.0

Technical characteristics

Model	Speed (r/min)	Maximum admissible current (A)			Installed power (kW)	Maximum airflow (m³/h)	Sound pressure level dB(A)	Approx. weight (Kg)
		230V	400V	690V				
CMPI-820-4M	1370	2.00			0.25	1670	66	10.0
CMPI-922-2T-1.5	2860	4.20	2.40		1.10	1650	70	20.0
CMPI-922-2T-2	2770	5.44	3.13		1.50	2010	71	23.0
CMPI-922-2T-3	2885	7.77	4.47		2.20	2600	74	25.5
CMPI-922-4T	1380	2.92	1.69		0.55	2450	66	19.0
CMPI-1025-2T-3	2885	7.77	4.47		2.20	2100	73	28.5
CMPI-1025-2T-4	2900	10.18	5.88		3.00	2830	77	37.6
CMPI-1025-4T	1400	4.03	2.32		1.10	3400	70	38.5
CMPI-1128-2T-4	2900	10.18	5.88		3.00	2220	77	41.5
CMPI-1128-2T-5.5	2870	13.60	7.82		4.00	3210	81	47.0
CMPI-1128-4T	1445	8.36	4.83		2.20	5000	74	39.0
CMPI-1128-6T	945	3.90	2.20		0.75	3300	60	28.5
CMPI-1231-4T-3	1445	8.36	4.83		2.20	4740	73	47.0
CMPI-1231-4T-4	1445	10.96	6.33		3.00	5910	75	49.0
CMPI-1231-4T-5.5	1440	14.10	8.12		4.00	6850	77	56.0
CMPI-1231-6T	955	6.42	3.71		1.50	5115	64	49.0
CMPI-1435-4T-4	1445	10.96	6.33		3.00	5560	76	53.0
CMPI-1435-4T-5.5	1440	14.10	8.12		4.00	6260	78	61.5
CMPI-1435-4T-7.5	1460		10.60	6.10	5.50	7210	80	75.5
CMPI-1435-6T	955	9.30	5.30		2.20	6400	66	58.5
CMPI-1640-4T-5.5	1440	14.10	8.12		4.00	7000	77	78.5
CMPI-1640-4T-7.5	1460		10.60	6.10	5.50	8035	80	92.5
CMPI-1640-4T-10 IE3	1465		13.90	8.06	7.50	9710	82	119.5
CMPI-1640-6T	955	9.30	5.30		2.20	8100	71	75.5
CMPI-1845-4T-7.5	1460		10.60	6.10	5.50	8000	82	93.5
CMPI-1845-4T-10 IE3	1465		13.90	8.06	7.50	10000	85	120.5
CMPI-1845-6T	955	9.30	5.30		2.20	7500	77	84.0
CMPI-2050-4T-10 IE3	1465		13.90	8.06	7.50	9000	83	150.0
CMPI-2050-4T-15 IE3	1470		20.90	12.10	11.00	12525	87	178.0
CMPI-2050-4T-20 IE3	1465		27.90	16.20	15.00	16500	89	189.0
CMPI-2050-6T	960	16.50	9.46		4.00	11000	79	146.0
CMPI-2563-6T IE3	975		28.20	16.30	15.00	21000	86	300.0

Acoustic features

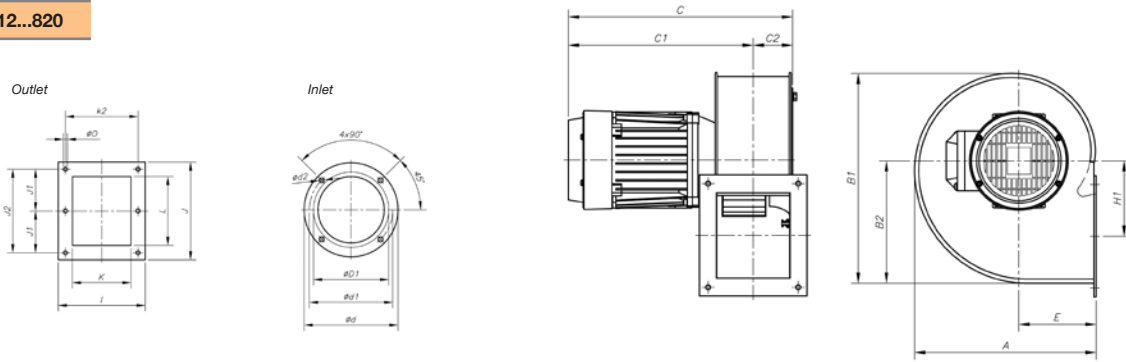
The specified values are determined according to free field measurements of pressure and sound levels in dB(A) at an equivalent distance of twice the fan's span plus the turbine's diameter, with a minimum of 1.5 m.

Sound power Lw(A) spectrum in dB(A) via frequency band in Hz.

Model	63	125	250	500	1000	2000	4000	8000	Model	63	125	250	500	1000	2000	4000	8000
512-2	37	47	58	65	69	66	64	57	1128-6	35	45	56	63	67	64	62	55
512-4	30	40	51	58	62	59	57	50	1231-4-3	51	60	71	78	82	80	78	71
514-2	40	50	61	68	72	69	67	60	1231-4-4	53	62	73	80	84	82	80	73
514-4	33	43	54	61	65	62	60	53	1231-4-5.5	55	64	75	82	86	84	82	75
616-2	44	54	65	72	76	73	71	64	1231-6	42	51	62	69	73	71	69	62
616-4	36	46	57	64	68	65	63	56	1435-4-4	54	63	74	81	85	83	81	74
620-2	43	53	64	71	75	72	70	63	1435-4-5.5	56	65	76	83	87	85	83	76
620-4	36	46	57	64	68	65	63	56	1435-4-7.5	58	67	78	85	89	87	85	78
718-2	45	55	66	73	77	74	72	65	1435-6	44	53	64	71	75	73	71	64
718-4	38	48	59	66	70	67	65	58	1640-4-5.5	55	64	75	82	86	84	82	75
820-2	48	58	69	76	80	77	75	68	1640-4-7.5	58	67	78	85	89	87	85	78
820-4	41	51	62	69	73	70	68	61	1640-4-10	60	69	80	87	91	89	87	80
922-2-1.5	45	55	66	73	77	74	72	65	1640-6	49	58	69	76	80	78	76	69
922-2-2	46	56	67	74	78	75	73	66	1845-4-7.5	61	71	82	89	93	91	89	81
922-2-3	49	59	70	77	81	78	76	69	1845-4-10	64	74	85	92	96	94	92	84
922-4	41	51	62	69	73	70	68	61	1845-6	56	66	77	84	88	86	84	76
1025-2-3	48	58	69	76	80	77	75	68	2050-4-10	62	72	83	90	94	92	90	82
1025-2-4	52	62	73	80	84	81	79	72	2050-4-12.5	64	74	85	92	96	94	92	84
1025-4	45	55	66	73	77	74	72	65	2050-4-15	66	76	87	94	98	96	94	86
1128-2-4	52	62	73	80	84	81	79	72	2050-4-20	68	78	89	96	100	98	96	88
1128-2-5.5	56	66	77	84	88	85	83	76	2050-6	58	68	79	86	90	88	86	78
1128-4	49	59	70	77	81	78	76	69	2563-6	67	77	88	95	99	96	94	87

Dimensions in mm

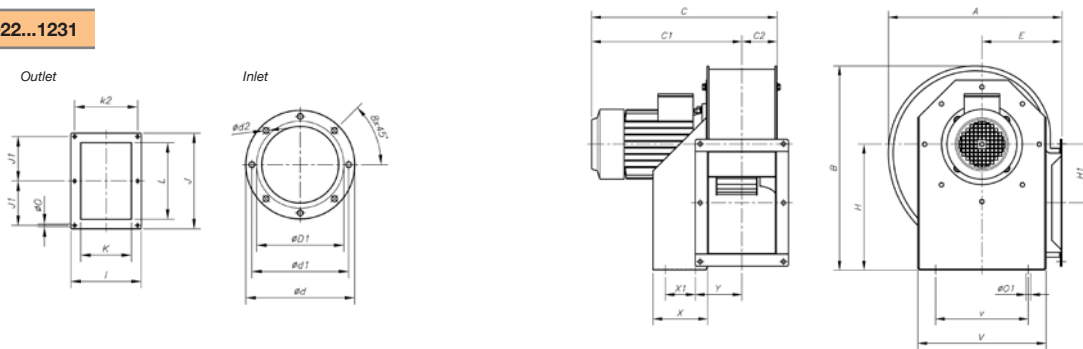
CMPI-512...820



Model	A	B1	B2	C	C1	C2	øD1*	ød	ød1	ød2	E	H1	I	J	J1	J2	K	k2	L	øO
CMPI-512-2	185	206.5	118	251	212	39	112	140	132	M4	81	69	106	118	-	104.5	75	93	86	5.5
CMPI-512-4	185	206.5	118	249	210	39	112	140	132	M4	81	69	106	118	-	104.5	75	93	86	5.5
CMPI-514-2	225	254	150	281	236	45	140	169	151.5	M4	100	91	122	147	64	128	83	105	107	6.5
CMPI-514-4	225	254	150	261	216	45	140	169	151.5	M4	100	91	122	147	64	128	83	105	107	6.5
CMPI-616-2	258	297	173.5	320	264	56	160	204	180	M6	110	105.5	153	172	-	147	103	128	122	7
CMPI-616-4	258	297	173.5	283	227	56	160	204	180	M6	110	105.5	153	172	-	147	103	128	122	7
CMPI-620-2	298	347	202.5	321	265	56	200	247	230	M6	126	145.5	159	153	-	128	105	134	100	8
CMPI-620-4	298	347	202.5	283	227	56	200	247	230	M6	126	145.5	159	153	-	128	105	134	100	8
CMPI-718-2T	303.5	348	201	355	294	61	180	238	210	M6	129.5	122	169	192	85	170	115	145	146	9
CMPI-718-2M	303.5	348	201	355	245	61	180	238	210	M6	129.5	122	169	192	85	170	115	145	146	9
CMPI-718-4	303.5	348	201	331	270	61	180	238	210	M6	129.5	122	169	192	85	170	115	145	146	9
CMPI-820-2	322	377	223	369.5	301	68.5	200	247	230	M6	137.5	137	184	213	94.5	189	130	160	156	9
CMPI-820-4	322	377	223	345.5	277	68.5	200	247	230	M6	137.5	137	184	213	94.5	189	130	160	156	9

* Recommended nominal diameter for duct.

CMPI-922...1231

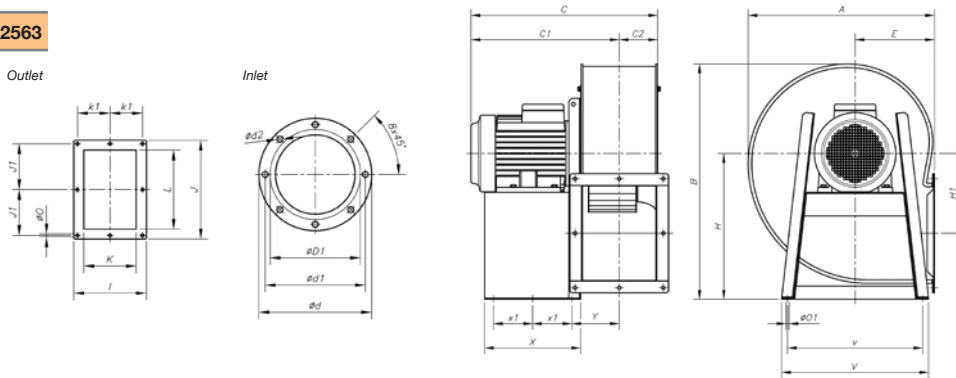


Model	A	B	C	C1	C2	øD1*	ød	ød1	ød2	E	H	H1	I	J	J1	K	k2	L	øO	øO1	V	v	X	X1	Y
CMPI-922-2T-1*5	388.5	455	382.5	309	73.5	224	278	256	M8	180	280	134	204	282.5	128	140	180	215	9.5	10.5	290	220	114	50	105
CMPI-922-2T-2	388.5	455	430.5	357	73.5	224	278	256	M8	180	280	134	204	282.5	128	140	180	215	9.5	10.5	290	220	114	50	105
CMPI-922-2T-3	388.5	455	430.5	357	73.5	224	278	256	M8	180	280	134	204	282.5	128	140	180	215	9.5	10.5	290	220	114	50	105
CMPI-922-4T	388.5	455	382.5	309	73.5	224	278	256	M8	180	280	134	204	282.5	128	140	180	215	9.5	10.5	290	220	114	50	105
CMPI-1025-2T-3	427	503	456	370	86	250	305	282	M8	197	310	144	229	312.5	145	165	205	250	9.5	12.5	315	228	134	74	115.5
CMPI-1025-2T-4	427	503	486	400	86	250	305	282	M8	197	310	144	229	312.5	145	165	205	250	9.5	12.5	315	228	134	74	115.5
CMPI-1025-4T	427	503	456	370	86	250	305	282	M8	197	310	144	229	312.5	145	165	205	250	9.5	12.5	315	228	134	74	115.5
CMPI-1128-2T-4	472	553	500.5	407	93.5	280	348	320	M8	216	340	152	244	364	170	180	220	296.5	9.5	12.5	348	245	144	95	122.5
CMPI-1128-2T-5*5	472	553	523.5	430	93.5	280	348	320	M8	216	340	152	244	364	170	180	220	296.5	9.5	12.5	348	245	144	95	122.5
CMPI-1128-4T	472	553	500.5	407	93.5	280	348	320	M8	216	340	152	244	364	170	180	220	296.5	9.5	12.5	348	245	144	95	122.5
CMPI-1128-6T	472	553	470.5	377	93.5	280	348	320	M8	216	340	152	244	364	170	180	220	296.5	9.5	12.5	348	245	144	95	122.5
CMPI-1231-4T-3	526	630	520.5	417	103.5	315	382	354	M8	238	390	179.5	264	382.5	180	200	240	320	11.5	13	382	322	183	140	126
CMPI-1231-4T-4	526	630	520.5	417	103.5	315	382	354	M8	238	390	179.5	264	382.5	180	200	240	320	11.5	13	382	322	183	140	126
CMPI-1231-4T-5*5	526	630	543.5	440	103.5	315	382	354	M8	238	390	179.5	264	382.5	180	200	240	320	11.5	13	382	322	183	140	126
CMPI-1231-6T	526	630	520.5	417	103.5	315	382	354	M8	238	390	179.5	264	382.5	180	200	240	320	11.5	13	382	322	183	140	126

* Recommended nominal diameter for duct.

Dimensions in mm

CMPI-1435...2563



Model	A	B	C	C1	C2	$\phi D1^*$	ϕd	ϕd_1	ϕd_2	E	H	H1	I	J	J1	K	k1	L	ϕO	ϕO_1	V	v	X	X1	Y
CMPI-1435-4T-4	573.5	715	549	431	118	355	422	394	M8	250	445	242.5	292	342.5	159	228	133	280	11.5	12	456	420	333	136.5	150
CMPI-1435-4T-5'5	573.5	715	572	454	118	355	422	394	M8	250	445	242.5	292	342.5	159	228	133	280	11.5	12	456	420	333	136.5	150
CMPI-1435-4T-7'5	573.5	715	610	492	118	355	422	394	M8	250	445	242.5	292	342.5	159	228	133	280	11.5	12	456	420	333	136.5	150
CMPI-1435-6T	573.5	715	572	454	118	355	422	394	M8	250	445	242.5	292	342.5	159	228	133	280	11.5	12	456	420	333	136.5	150
CMPI-1640-4T-5'5	634	799	596	465	130	400	464	438	M8	270	495	271	336	404	185	250	150	321	11.5	12	500	460	327	133.5	162.5
CMPI-1640-4T-7'5	634	799	634	504	130	400	464	438	M8	270	495	271	336	404	185	250	150	321	11.5	12	500	460	327	133.5	162.5
CMPI-1640-6T	634	799	596	466	130	400	464	438	M8	270	495	271	336	404	185	250	150	321	11.5	12	500	460	327	133.5	162.5
CMPI-1845-4T-7'5	711	901	668	521	147	450	515	485	M8	302	560	305	370	444	202	284	164	361	11.5	12	538	502	340	140	179.5
CMPI-1845-4T-10	711	901	668	521	147	450	515	485	M8	302	560	305	370	444	202	284	164	361	11.5	12	538	502	340	140	179.5
CMPI-1845-6T	711	901	630	483	147	450	515	485	M8	302	560	305	370	444	202	284	164	361	11.5	12	538	502	340	140	179.5
CMPI-2050-4T-10	797	987	700.5	538	162.5	500	565	535	M10	345	610	313	411	544	250	315	182.5	451	11.5	12	653	615	435	188	196
CMPI-2050-4T-12'5	797	987	752.5	590	162.5	500	565	535	M10	345	610	313	411	544	250	315	182.5	451	11.5	12	653	615	435	188	196
CMPI-2050-4T-15	797	987	805.5	643	162.5	500	565	535	M10	345	610	313	411	544	250	315	182.5	451	11.5	12	653	615	435	188	196
CMPI-2050-4T-20	797	987	805.5	643	162.5	500	565	535	M10	345	610	313	411	544	250	315	182.5	451	11.5	12	653	615	435	188	196
CMPI-2050-6T	797	987	700.5	538	162.5	500	565	535	M10	345	610	313	411	544	250	315	182.5	451	11.5	12	653	615	435	188	196
CMPI-2563-6T	1030	1217	1047	836	211	630	710	675	M10	460	742	378	512	706	330	410	230	600	17	14	590	540	450	200	239

* Recommended nominal diameter for duct.

Characteristic curves

See page 162

Accessories

See accessories section.

